



Description

- 21" high excursion woofer.
- Low power compression, superb quality sound
- Very high power of 2000 W

Horn-loaded subwoofer with **one 21" speaker** characterized with **maximum low-frequency output power**. **HL 121** is the optimal decision **for sports halls and stadiums** because of its **high SPL** and **bass dispersion**. It is perfect for **Drum'N'Bass!**

LOUDSPEAKER

Subsystem:

<i>Transducer</i>	<i>Loading</i>
LF – 1 x 21-in cone (5" Voice Coil)	Front-Loaded Horn

Operating Mode:

<i>Amplifier Channels</i>	<i>External Signal Processing</i>
Single-amp	Low-Cut + High Pass Filter

PERFORMANCE

Operating Range (single unit):	33 Hz – 130 Hz (- 3 dB)
--------------------------------	-------------------------

Power handling AES* (see the table below)

LF – 104 Vrms (45 Hz – 100 Hz)	2000 W
--------------------------------	--------

Axial Sensitivity (2.83V@1m)

LF – 104 dB	36 Hz to 120 Hz
-------------	-----------------

Input Impedance

<i>Nominal</i>	<i>Minimum</i>
LF – 8 Ω (4 Ω - optional)	5.4 Ω @ 74 Hz

Low-Cut and High Pass Filter

LF – High Pass => 34-39 Hz, 48 dB /octave Butterworth/ Low Pass => 90 Hz - 120 Hz, 48dB /octave Butterworth/

Axial Output SPL @ 1m

<i>Average</i>	<i>Peak</i>
LF – 137 dB	143 dB

PHYSICAL

Dimensions: 1370 x 1350 x 678 mm (W x L x H)
Net Weight: 169 kg

ORDERING DATA

Description
HL 121

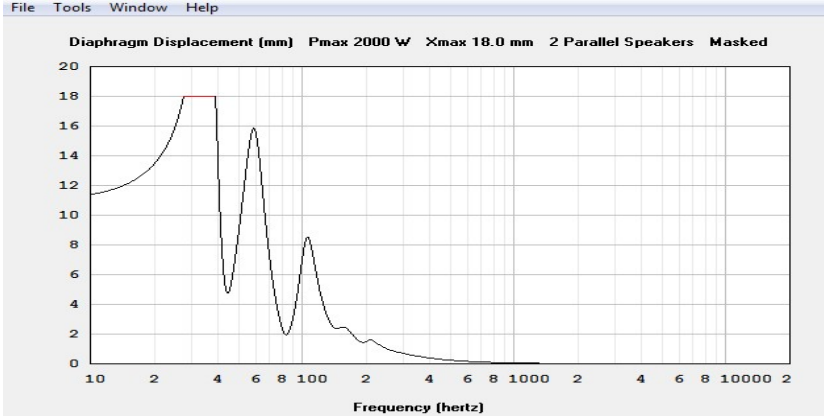
Optional Accessories

1 x Cover
4 x Wheels

Recommended power for safety diaphragm displacement Limit

Diaphragm Displacement Limit (Peak-Peak) vs. Frequency according to different number of subs.

(1)



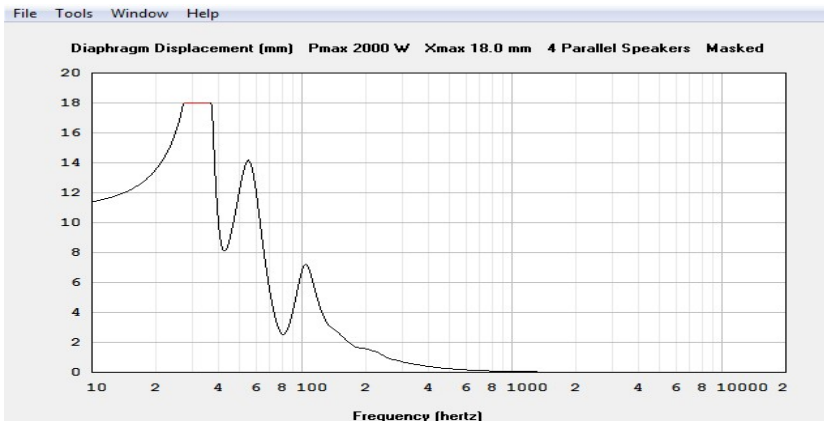
2 x HL 121

Recommended max power 2000 Wrms each.

LF - High Pass => 39 Hz, 48dB/octave Butterworth/

Low Pass => 90 Hz - 120 Hz, 48dB/octave Butterworth/ when using 2 pcs stacked together in half-space (2Pi);

(2)



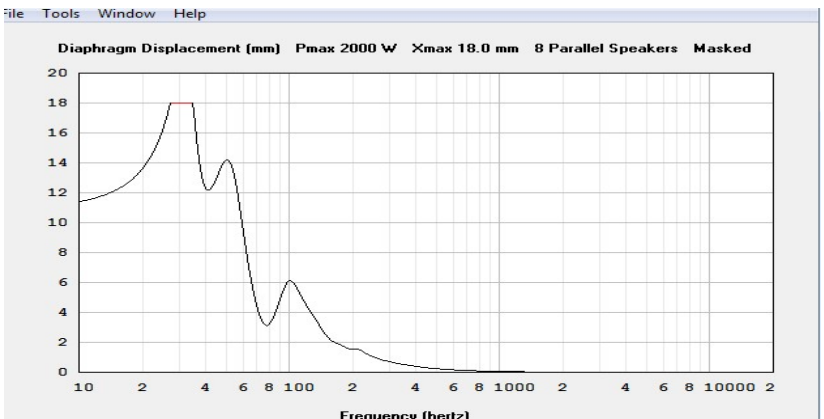
4 x HL 121

Recommended max power 2000 Wrms each.

LF - High Pass => 38 Hz, 48dB/octave Butterworth/

Low Pass => 90 Hz - 120 Hz, 48dB/octave Butterworth/ when using 4 pcs stacked together in half-space (2Pi);

(3)



4 x HL 121

Recommended max power 2000 Wrms each.

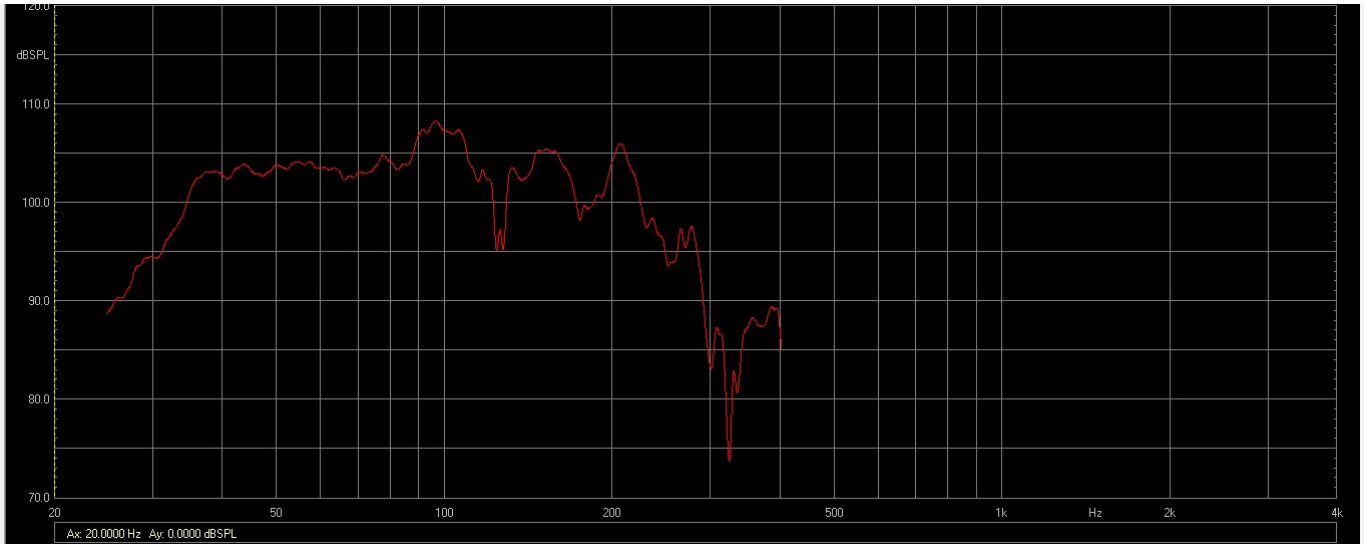
LF - High Pass => 34 Hz, 48dB/octave Butterworth/

Low Pass => 90 Hz - 120 Hz, 48dB/octave Butterworth/ when using 8 pcs stacked together in half-space (2Pi);

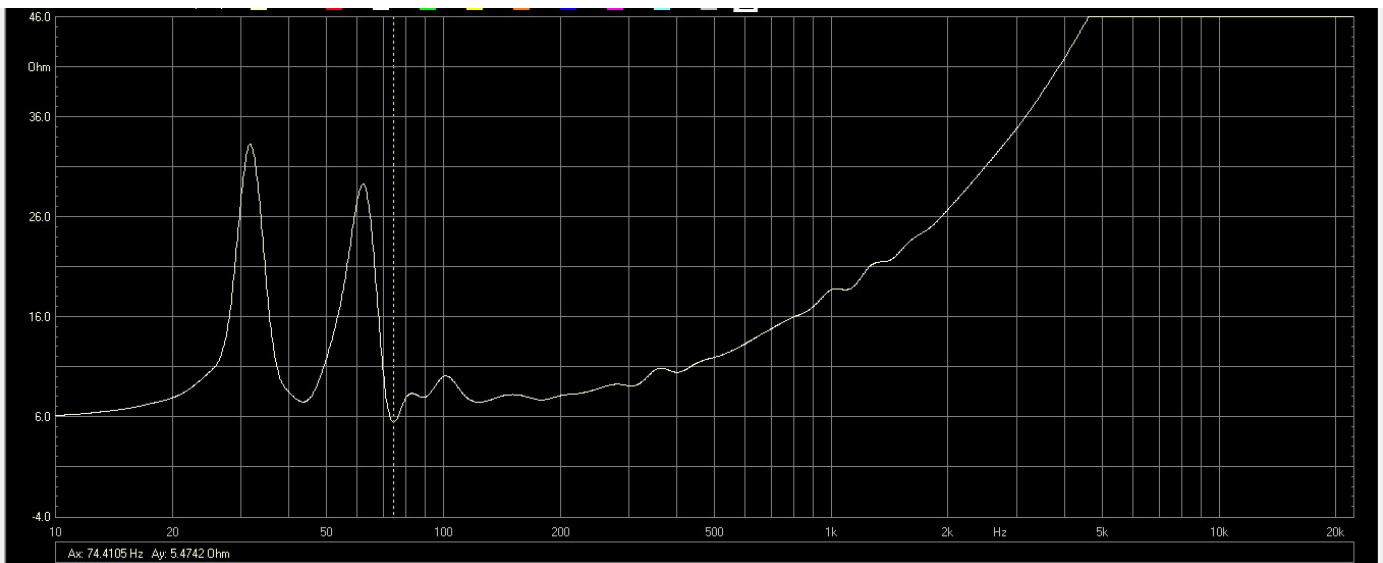
* Each loudspeaker used in these speakers is 2000 Wrms (AES standard) and it can make 18mm diaphragm displacement with no linear distortion

* All simulations are made with 2000 Wrms per speaker (4000 Wrms in 2 speakers, 8000 Wrms in 4 speakers, 16000 Wrms in 8 speakers@2Pi)

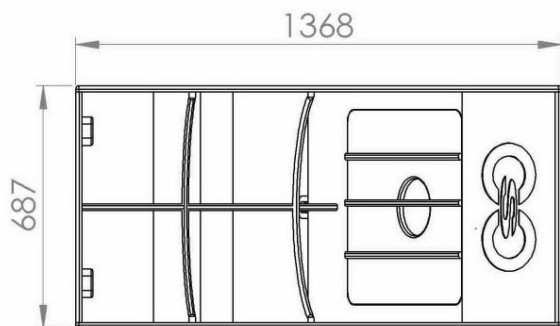
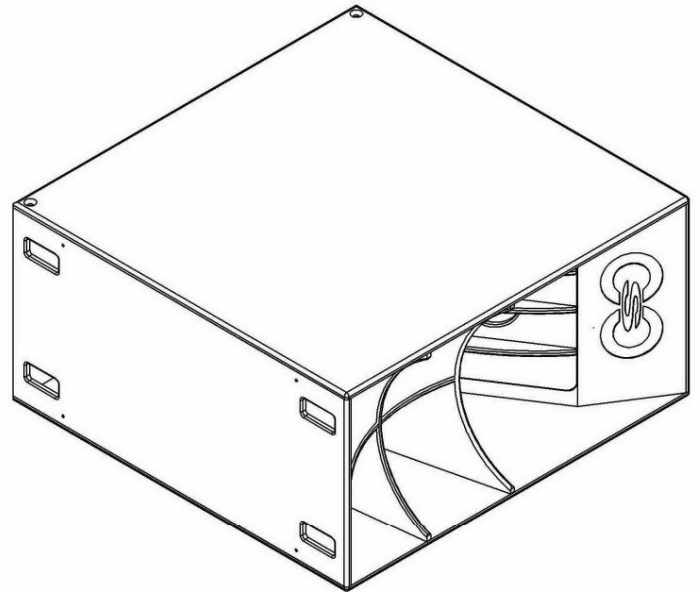
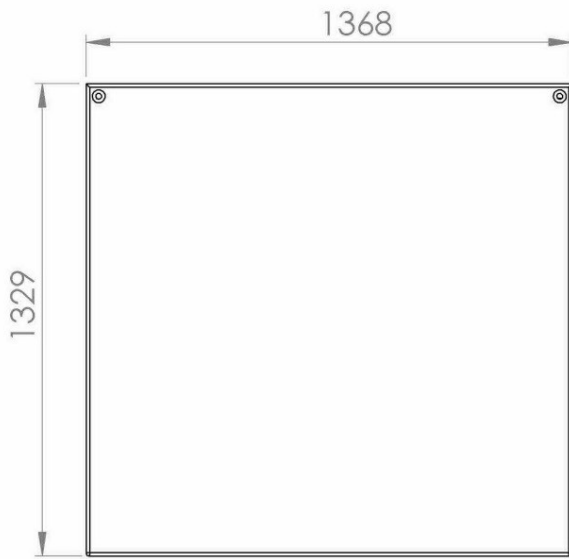
Frequency response 1 x HL 121@1m/2Pi



Impedance 1 x RLH 118 SX



Dimensions



- All dimensions are in mm